


# PRODUCT SHEET

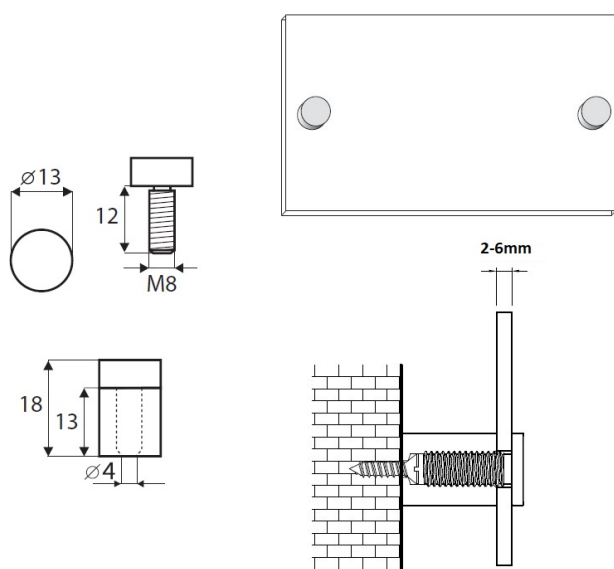
## Description:

Sign Board Screw  $\varnothing 13 \times 13 \text{mm}$ , Alu, Polished, M8, W/2 Trans- parent Washers

## Item number:

22.11.115-0

Units	Box	Carton	HS Code	Barcode
Pcs.	100	400	8302490099	 5704866084123



## SISO A/S

Mileparken 11  
DK-2740 Skovlunde  
Denmark  
VAT: DK 24786013

Phone +45 45 830 900

[www.siso.dk](http://www.siso.dk)  
[siso@siso.dk](mailto:siso@siso.dk)

Danske Bank  
Nytorv Branch  
Copenhagen  
SWIFT: DABADKKK

Account no.  
4180 3112 112936  
IBAN Account  
DK7230003112112936